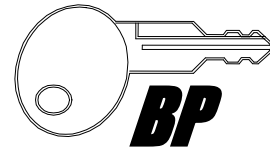


Bauer EM



Bauer Products, Inc.
702 Evergreen St SE
Grand Rapids, MI 49507
1-866-68-BAUER(22837)
www.bauerproducts.com
email: info@bauerproducts.com

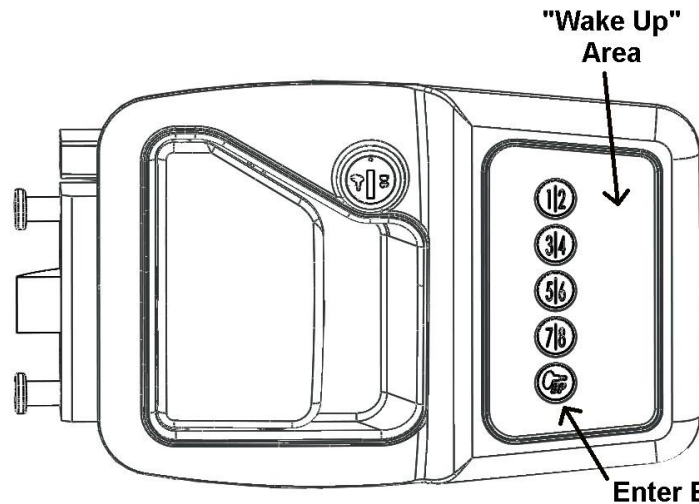
Quick Reference Card

Please see our website at www.bauerproducts.com for detailed instructions, and videos on installation and operation.

Please see our website for more detailed instructions at www.bauerproducts.com

Bauer EM Operation

IMPORTANT:
The Touch Pad
only activates
the Dead Bolt.



1. Touch the area next to the Buttons to "Wake Up" the lock.

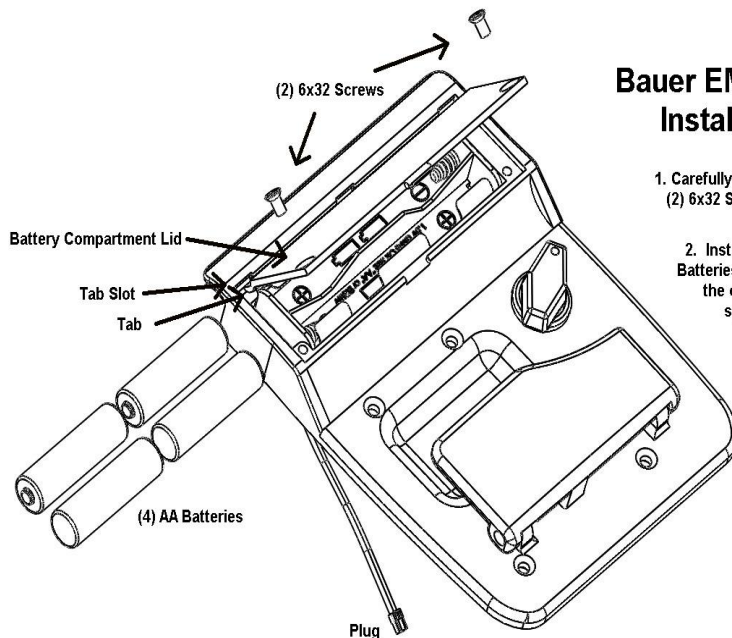
2. The Buttons will illuminate when the lock is "awake" and ready to accept the code.

3. The factory default code is 3,7,1,5 followed by the Enter Button.

4. Touch and hold "3/4" Button and Enter Button for 2 seconds. The lock will beep 3 times to accept a new code.

5. Enter a 4 digit code followed by the Enter Button. The lock will beep 4 times to indicate new code acceptance. This is now your new code.

Please enter your Personal Code upon Installation of lock to prevent inadvertent programming.



Bauer EM Battery Installation

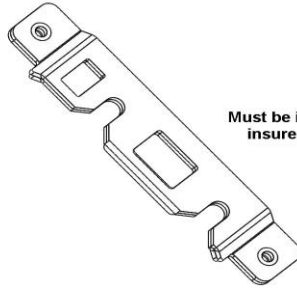
1. Carefully remove (2) 6x32 Screws

2. Install 4 fresh AA Batteries according to the orientation symbols

3. Install Battery Compartment Lid by Aligning the (3) tabs and (3) slots

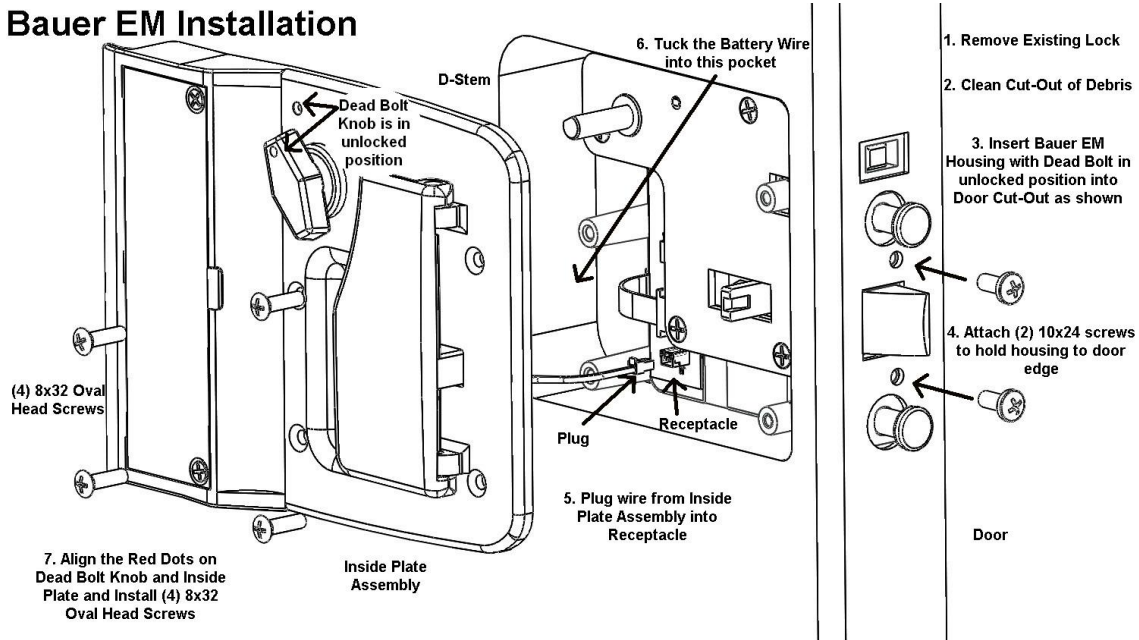
4. Carefully install the 6x32 screws to attach Battery Compartment Lid

Bauer EM Strike Plate

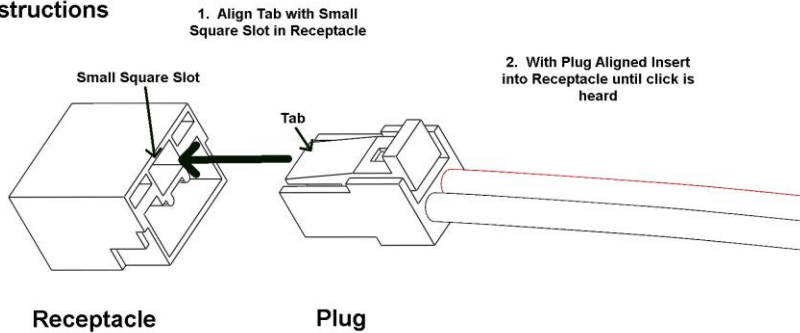


Must be installed with Bauer EM to insure FMVSS206 compliance

Bauer EM Installation



Battery Plug Instructions



Limited Warranty

BAUER'S WARRANTY IS LIMITED. AT ITS SOLE DISCRETION, BAUER MAY EITHER REPLACE OR REPAIR ANY DEFECTIVE PARTS. IN NO EVENT SHALL BAUER HAVE ANY LIABILITY TO CUSTOMER FOR PAYING INCIDENTAL, SPECIAL OR CONSEQUENTIAL DAMAGES INCLUDING (WITHOUT LIMITATION) DAMAGES RESULTING FROM PERSONAL OR BODILY INJURY OR DEATH OR DAMAGES TO, OR LOSS OF USE OF, ANY PROPERTY. NOTWITHSTANDING ANY PROVISION TO THE CONTRARY, THIS LIMITED WARRANTY IS MADE UPON THE EXPRESS UNDERSTANDING THAT IT SHALL APPLY IN CONNECTION WITH THE SALE OF THE PRODUCT BY BAUER AND IS IN LIEU OF ALL OTHER WARRANTIES (EXPRESS, IMPLIED OR STATUTORY) INCLUDING THE SEPARATE WARRANTIES OF MERCHANTABILITY AND FITNESS FOR A PARTICULAR PURPOSE OR USE.