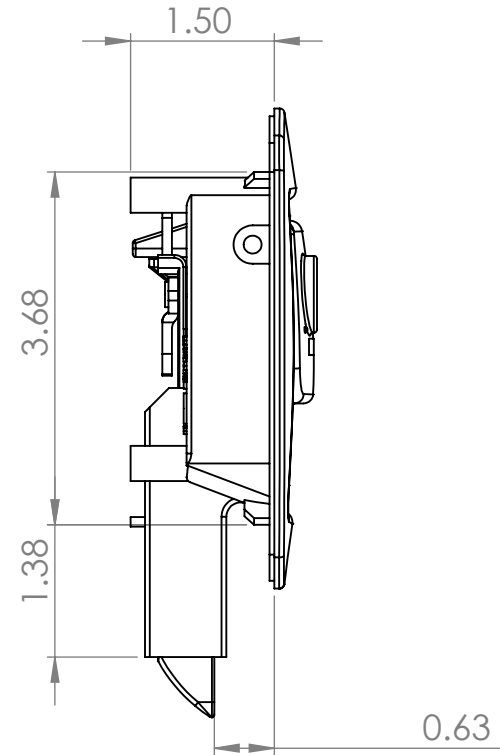
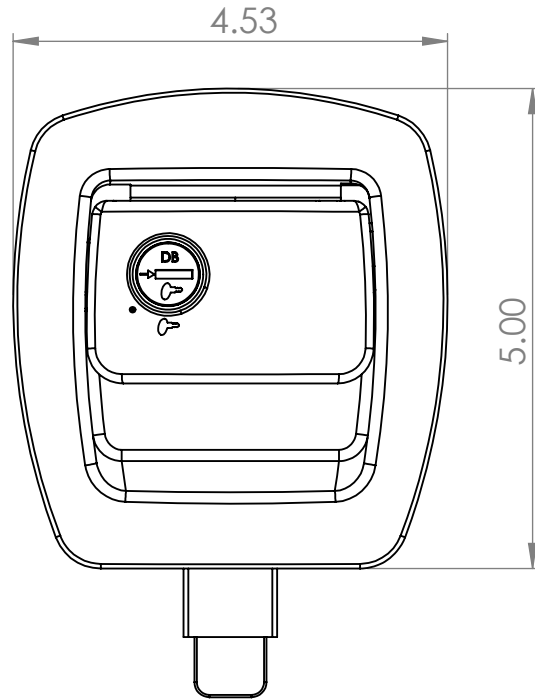
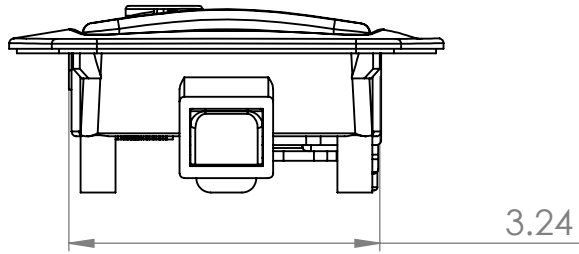


		REVISIONS			
ZONE	REV.	DESCRIPTION	DATE	APPROVED	



**Bauer Products, Inc.**

**PROPRIETARY AND CONFIDENTIAL**

THE INFORMATION CONTAINED IN THIS DRAWING IS THE SOLE PROPERTY OF BAUER PRODUCTS, INC. ANY REPRODUCTION IN PART OR AS A WHOLE WITHOUT THE WRITTEN PERMISSION OF BAUER PRODUCTS, INC. IS PROHIBITED.

		UNLESS OTHERWISE SPECIFIED:		NAME	DATE	
		DIMENSIONS ARE IN INCHES				TITLE: BP-20 Assembly 23 Nov 15 Drawing
		TOLERANCES:				
		FRACTIONAL ±		DRAWN		
		ANGULAR: MACH ± BEND ±		CHECKED		
		TWO PLACE DECIMAL ±		ENG APPR.		
		THREE PLACE DECIMAL ±		MFG APPR.		
		INTERPRET GEOMETRIC TOLERANCING PER:		Q.A.		
		MATERIAL		COMMENTS:		
		FINISH				SIZE DWG. NO. REV
NEXT ASSY	USED ON					<b>A</b>
APPLICATION		DO NOT SCALE DRAWING				SCALE: 1:2 WEIGHT: SHEET 1 OF 1

5

4

3

2

1