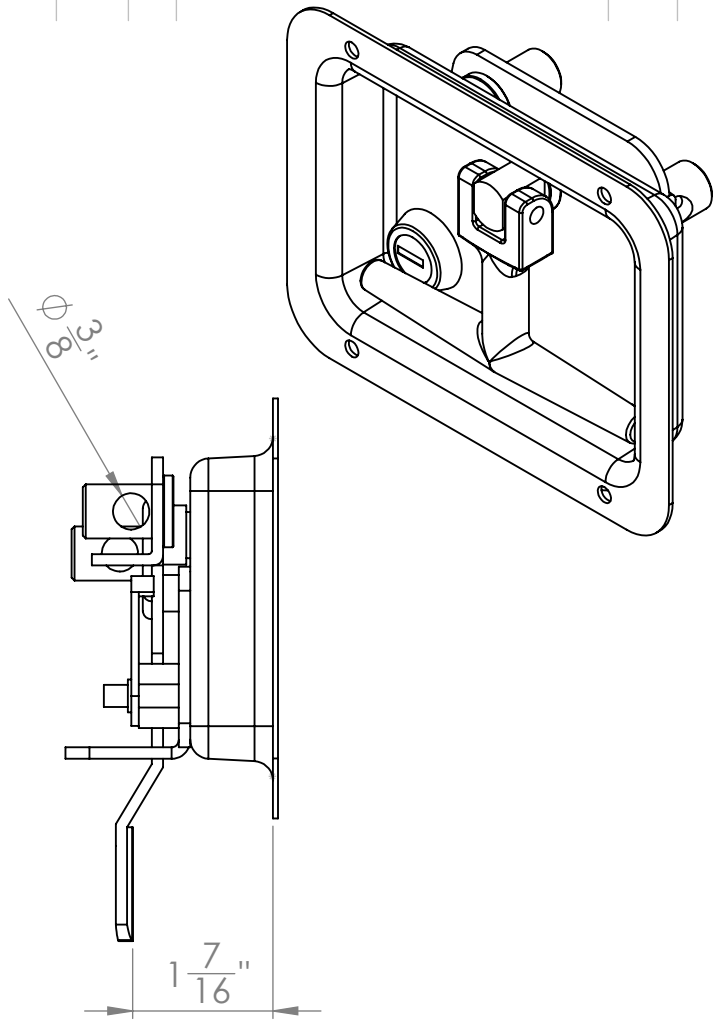
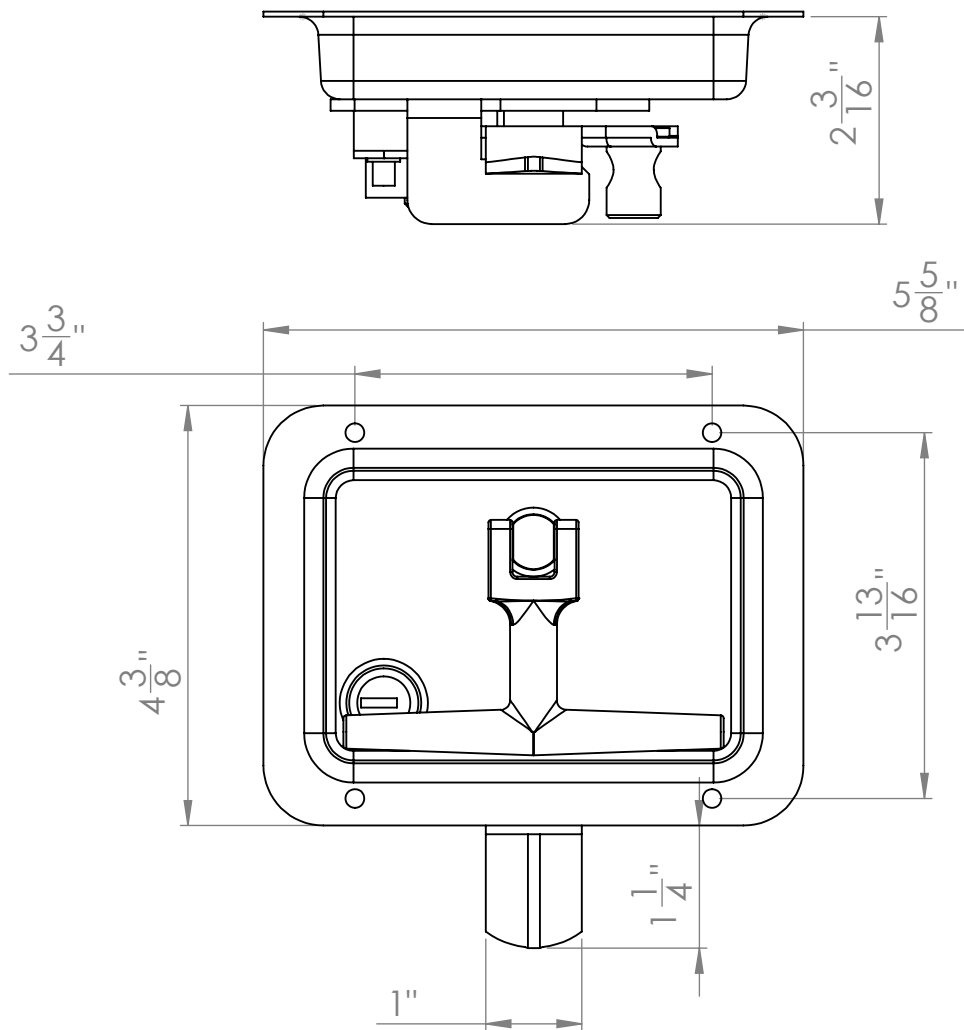


REVISES		DESCRIPTION	DATE	APPROVED
ZONE	REV.			



PROPRIETARY AND CONFIDENTIAL
 THE INFORMATION CONTAINED IN THIS DRAWING IS THE SOLE PROPERTY OF BAUER PRODUCTS, INC. ANY REPRODUCTION IN PART OR AS A WHOLE WITHOUT THE WRITTEN PERMISSION OF BAUER PRODUCTS, INC. IS PROHIBITED.

UNLESS OTHERWISE SPECIFIED:		NAME	DATE
DIMENSIONS ARE IN INCHES		DRAWN	
TOLERANCES:		CHECKED	
FRACTIONAL ±		ENG APPR.	
ANGULAR: MACH ± BEND ±		MFG APPR.	
TWO PLACE DECIMAL ±		Q.A.	
THREE PLACE DECIMAL ±		COMMENTS:	
	INTERPRET GEOMETRIC TOLERANCING PER:		
	MATERIAL		
	FINISH		
NEXT ASSY	USED ON		
APPLICATION			
DO NOT SCALE DRAWING			

TITLE: Folding T-Handle Assembly Drawing			
SIZE A	DWG. NO.	REV	
SCALE: 1:2	WEIGHT:	SHEET 1 OF 1	